



Heavy Duty Roller Bed Conveyors HBR & HYB .

The belt slides over low friction quality rollers, which could be 50, 60 or 89 mm in diameter. Rollers are made of galvanized steel, featuring special low friction bearings HBR Conveyors can use synthetic resin belts (PVC,PU,Grip face,etc...) or rubber belts of the plain type or with chevrons.

سيور منزلقة على رولات HBR & HYB .

تنزلق الحصائر على رولات بأقطار 50 او 60 او 89 مم حسب نوع الحمل وبالتالي فإن الاحتكاك بين الحصيرة والسطح الحامل تكون قليلة مما يسمح بنقل اوزان متوسطة وكبيرة تصل الى 300 كجم لكل متر طولى ويمكن استخدام حصائر من البى فى سى او البولي يوريثان او المطاط حسب الحاجة.

Factory :New Borg El Arab 2nd Zone
entrance 2c street 3 - entrance 2c street 5
Tel:+20-(03)-4624127 - 4624126 - 4624025
fax : (03) 4624291

Info@UnitelEgypt.com

Cairo Office : Corniche El Nile, Maadi, Cairo
Tel +20:(0)2-25266333
Fax +20:(0)2-25264888

Sales@UnitelEgypt.com



www.UnitelEgypt.com



/UnitelEgypt

Roller Bed Conveyor (HBR)

Features

The heavy duty sheet metal construction offers a rigid and stable chassis thus ensuring stability, strength and a prolonged belt life under heavy loads.

The belt slides over low friction quality rollers, which could be 50, 60 or 89 mm in diameter. Rollers are made of galvanized steel, featuring special low friction bearings.

HBR Conveyors can use synthetic resin belts (PVC, PU, Grip face, etc...) or rubber belts of the plain type or with chevrons.



Characteristics

The side channels have precision punched holes and slots that offer a flexible scheme for placing the supporting rollers, and permit the attachment of many accessories, such as side tables, skirts, brackets, guides, etc...

The supporting rollers' pitch could be changed to suit the material being transported.

The drive pulley is driven by integral reducers, either shaft mounted or sprocket driven.



Applications

HBR conveyors are used extensively in [warehouses](#), [production facilities](#), [assembly lines](#), and general conveyance of medium to heavy loads (up to 300 Kg/m) over relatively long distances.

They typically move unit goods such as cartons, crates, tires, flour sacks, cement sacks, machine parts, etc...and can be mounted on casters for mobility where several units can be linked to obtain a flexible conveying system.

HBR conveyors can be floor mounted, suspended from ceilings using hangers, or wall mounted using brackets



Roller Bed Conveyor (HBR)

Specifications

Drive & Take Up Diameter	Ø168 , 273 mm
Return Rollers Diameter	Ø50 & Ø60
Return Rollers Pitch	2400
Roller Diameter	Ø50 & Ø60 & Ø89
Roller Pitch	240mm
Linear Speed	5,10,20,40,80 m/min
Mains Supply	380VAC 50 Hz 3phase
Motor Power	Calculated based upon belt loading and conveyor inclination
Motor Class	IP54
Insulation Class	IP54
Belt Materials	Synthetic Resins, PVC , PU, Chevrons Rubber, 2 Ply rubber
Paint	Electrostatic Epoxy Powder RAL 7035
Take-up Distance	140 mm

Dimensions

Standard Width (W) / Preferred Values

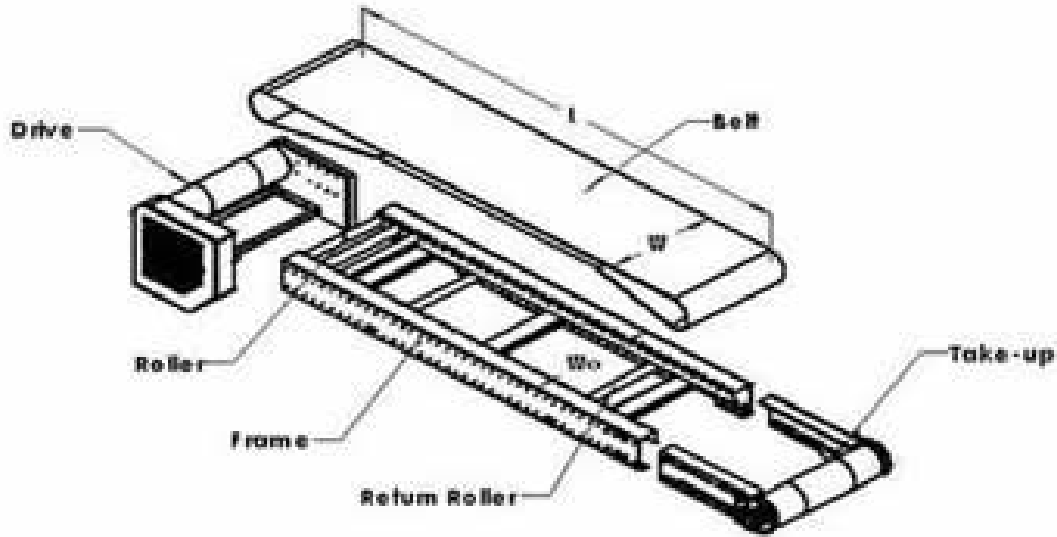
Outer Distance (Wo)

W	400	500	650	800	1300 for Roller Diameter 89 mm
Wo	484	592	754	916	1456

Standard Section Length 2400

Options	intermediate lengths available (in 60 mm increments only)
Modules are attached together using Butt Couplings, to obtain any desired length.	

Roller Bed Conveyor (HBR)



Accessories

Under-Trussing	Yes	Inside scraper	Yes
Cross Bracing	Yes	Outside Scrapers	Yes
Butt Coupling	Yes	Emergency Pull Cord	Yes
Nose Wheel	Yes	Brake Rollers	No
Front Bumper	Yes	Troughing Attachment.	No
Tail Bumper	Yes	Optical Switches and Controls	Yes
End Stops	Yes		
Deflector	No	Push Button Station	Yes
Drip Pan	No	Pushers	No
Chutes	No	Back Stops	Yes
Guard Rails	Yes		
Side Skirts	Yes	Longitudinal Side Tables	No
Feed (Tail end) Hopper	No	Individual Side Tables	No
Delivery (Head end) Hopper	No		
Head Pulley Hood	No		

مكتب القاهرة : برج القانوينين كورنيش المعادى
تليفون : ٢/٢٥٢٦٦٣٣٣
فاكس : ٢/٢٥٢٦٤٨٨٨

مدينة برج العرب الجديدة - المنطقة الصناعية الثانية
يونيتل/ مدخل ٢ ج شارع ٣ - مدخل ٢ ج شارع ٥
تليفون : ٣/٤٦٢٤٤٢٤٤-٤٦٢٤٠٢٥-٤٦٢٤١٢٦-٤٦٢٤١٢٧
فاكس : ٣/٤٦٢٤٢٩١



www.UnitelEgypt.com



/UnitelEgypt

Sales@UnitelEgypt.com

Info@UnitelEgypt.com